



**SRI VENKATESWARA COLLEGE OF ENGINEERING
DEPARTMENT OF ELECTRONICS AND COMMUNICATION ENGINEERING
ELECTRONICS AND COMMUNICATION ENGINEERS ASSOCIATION,
THE INSTITUTION OF ELECTRONICS AND TELECOMMUNICATION ENGINEERS
STUDENTS FORUM - SVCE,
ROBOTICS AND ARTIFICIAL INTELLIGENCE CLUB
REPORT ON BUG HUNT**

Proposal Of Event:

SVCE | Sri Venkateswara
College of
Engineering

RAIC

SRI VENKATESWARA COLLEGE OF ENGINEERING Pennalur, Sriperumbudur Taluk - 602117

DEPARTMENT OF ELECTRONICS AND COMMUNICATION ENGINEERING
In Association with
ELECTRONICS AND COMMUNICATION ENGINEERS' ASSOCIATION - SVCE
&
INSTITUTION OF ELECTRONICS AND TELECOMMUNICATION ENGINEERS-SF
&
ROBOTICS & ARTIFICIAL INTELLIGENCE CLUB

Proposal for conducting Project Expo

ECE Association, IETE - Students Forum and RAIC of SVCE is planning to conduct **Project Expo** event on **Wednesday, 28th September 2022** in our college premises. These projects will be exhibited during NAAC Review on **Thursday, 29th September 2022**.

The event consists of 1 round. Each team must display their project prototypes and explain it. Each team can consist upto 4 members. The event is aimed to improve the technical skills of students. Certificates will be awarded to the winners and participants.

Please accept this proposal and grant permission to conduct this event.

Venue: ECE Department
Timing: 9:30 A.M onwards

Thank You

T.J.J.M
Signature of the Faculty Co-ordinator
Dr.T.J.Jeyaprabha- ECEA, ISF, RAIC Coordinator

Dr. Muthukumar
Signature of the HoD
Dr.Muthukumar, Professor, SVCE

REPORT ON BUG HUNT

ELECTRONICS AND COMMUNICATION ENGINEERS ASSOCIATION, THE INSTITUTION OF ELECTRONICS AND TELECOMMUNICATION ENGINEERS STUDENTS FORUM - SVCE, ROBOTICS AND ARTIFICIAL INTELLIGENCE CLUB

Bug Hunt was organized by the department of Electronics and Communication Engineering in association with the Electronics and Communication Engineers Association (ECEA); the Institution of Electronics and Telecommunication Engineers Student Forum of SVCE (ISF SVCE) and the Robotics and Artificial Intelligence Club (RAIC). The event was conducted exclusively for the second-year, ECE students of Sri Venkateswara College of Engineering. Bug Hunt was aimed towards making the students use their academic as well as practical knowledge for analyzing circuits. A total of 42 teams (84 students) registered for the event, out of which 5 teams (10 students) were shortlisted based on their scores in the preliminary round.

Commencement of the event	September 28 th 2022 (10AM IST)
End of the event	September 28 th 2022 (3PM IST)
Total Teams	42 Teams
Total Participants	84

About The Event:

The event commenced with a special address by Dr.S.Muthukumar, Head of the Department, ECE. He also spoke about the importance of participating in various events apart from academics. He also gave a short note on what is debugging. The rules of the event were explained to all by the office bearers. Bug Hunt consisted of two rounds to determine the performance of the participants. In the first round, all the teams were given 20 MCQ questions with a time limit of 30 minutes. Out of 42 teams, five teams were shortlisted for the second round. In the second round, each of the shortlisted teams was given circuits with missing components and some faults, which they had to fix, and show the output. The winner was judged based on the explanation, quickness of solving, and understanding of the concept.

Agenda Of Event:

BUG HUNT & PROJECT EXPO (2022-2023)

AGENDA:

- 09.00am to 09.30am** : Registration for Project Expo
- 09.30am to 09.40am** : Prayer song
- 09.40am to 10.00am** : Welcome address by Ms.Lakshana Sasikumar, Honorary Treasurer, IETE-SF.
- 10.00am to 10.15am** : Special address by Dr.S.Muthukumar,HOD-ECE.
- 10.15am to 11.15am** : Start of Project Expo and Round 1 of Bug Hunt.
- 11.15am to 11.30am** : Announcement of shortlisted teams for Round 2 of Bug Hunt.
- 11.30am to 12.30pm** : Lunch Break.
- 12.30pm to 02.30pm** : Round 2 of Bug Hunt.
- 02.30pm to 02.45pm** : Announcement of results and distribution of certificates.
- 02.45pm to 02.55pm** : Vote of Thanks by Dr.T.J. Jeyaprabha, ECEA, IETE-SF, RAIC Co-ordinator.
- 02.55pm to 03.00pm** : National Anthem.

Dr.T.J.Jeyaprabha
(ASP,ECEA, IETE-SF, RAIC Co-ordinator)

Mr.S.Elangovan
(AP,ECEA, IETE-SF, RAIC Co-ordinator)

Dr.S.Muthukumar
(HOD-ECE)





SVCE Sri Venkateswara
College of
Engineering

RAIC



SRI VENKATESWARA COLLEGE OF ENGINEERING
DEPARTMENT OF ELECTRONICS AND COMMUNICATION ENGINEERING

in Association with

ELECTRONICS AND COMMUNICATION ENGINEERS ASSOCIATION

Along with

THE INSTITUTION OF ELECTRONICS AND TELECOMMUNICATION ENGINEERS

&

ROBOTICS AND ARTIFICIAL INTELLIGENCE CLUB

BUG HUNT

Exclusively for 2nd years!!!

TEAM OF 2

**28
SEP**

**WIN EXCITING
CASH PRIZES !!!**

Convenor:

Dr.S.Muthukumar, HOD, ECE

Coordinators:

Dr.T.J.Jeyaprabha, Associate Professor, ECE

Mr. S Elangovan, Assistant Professor, ECE

VENUE:

ECE Department

REGISTER @

<https://forms.gle/UFsZjBX3W7R8qbox6>



PRITHVI RAJ V S

Secretary ECEA,9789854546

MRDULLA V NAARAYAN

Honorary Secretary IETE,8903870875

Flyer for the event:

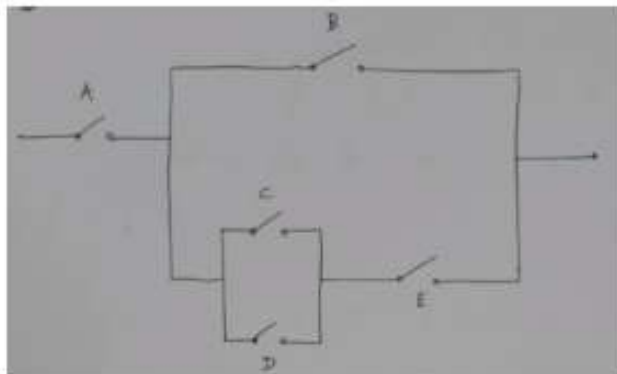
Round 1 sample question:

BUG HUNT ROUND 1 MCQ

A

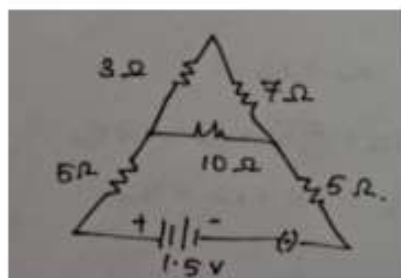
Questions:

- 1) The equivalent boolean expression for the following diagram is:



- a) $A+B(CD+E)$
- b) $A+B+(C+D)E$
- c) $A(B+(C+D)E)$
- d) $A(B(C+D)+E)$

- 2)



The current flowing through the 5 ohm resistor:

- a) 0.1 AMPERES
- b) 0.3 AMPERES
- c) 0.4 AMPERES
- d) 1 AMPERES

3) Two wires of the same materials have the same length but their radii are in the ratio 5:3. They are combined in series where the resistance of the thicker wire is 12ohms. Calculate the resistance of the combination.

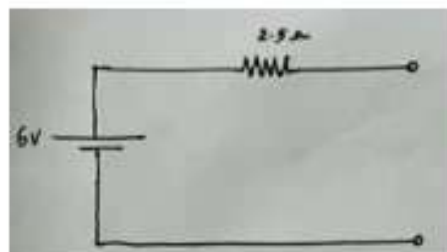
- a) 40
- b) 12
- c) 32
- d) 20

4) The amount of photoelectric emission current depends on
(A)frequency of incident radiation
(B)intensity of incident radiation
(C)both frequency and intensity of incident radiation
(D)none of the above

5) A resistor has the following color bands: yellow,violet, green and silver. Its nominal value is

- A) 4700 k Ω \pm 10%
- B) 47 k Ω \pm 10%
- C) 4.7 k Ω \pm 10%
- D) 4700 Ω \pm 10%

6) The equivalent current source network for the following network is:

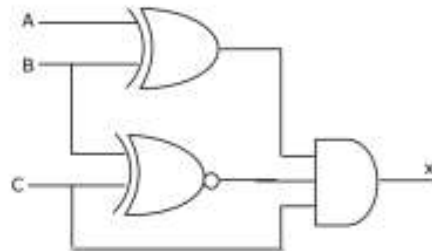


- a) 2.4 A current source series with 2.5 Ω resistor
- b) 2.4 A current source parallel with 2.5 Ω resistor
- c) 15 A current source series with 2.5 Ω resistor
- d) 15 A current source parallel with 2.5 Ω resistor

7) The AND gate IC is:

- a) IC7402
- b) IC7408
- c) IC7404
- d) IC7432

8) For the following logical circuit to have output $x=1$ the inputs A,B,C should be:

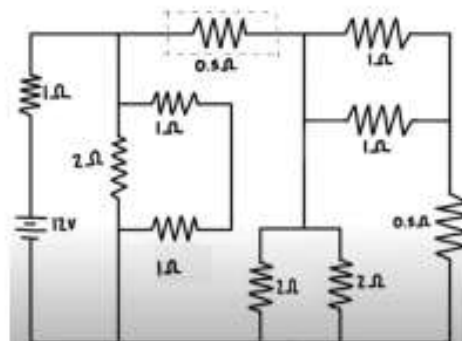


- a) 1,0,1
- b) 0,0,1
- c) 1,1,1
- d) 0,1,1

9) _____ type of diode which exploits reverse bias junction of PN voltage to exhibit an electrical phenomenon which uses an electric field to store energy?

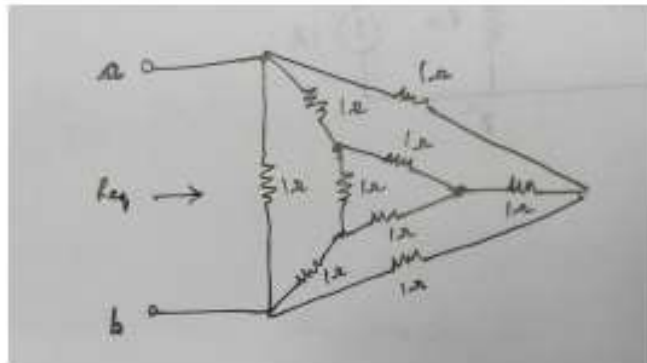
- a) Varactor diode
- b) Zener diode
- c) Tunnel diode
- d) PIN diode

10) Find the current flowing through the highlighted 0.5Ω resistor.



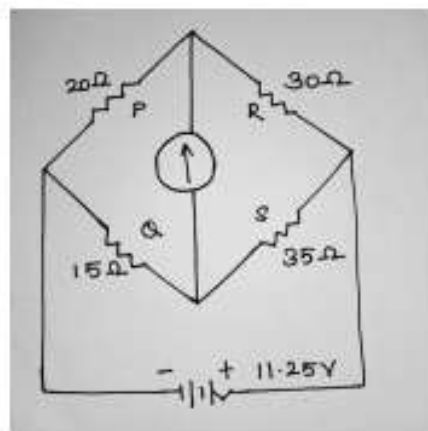
Answer: _____

11) Find the equivalent resistance across the terminals a and b if each resistor has a value equal to 1 ohm.



- a) $8/3$ ohms
- b) $1/3$ ohms
- c) $9/20$ ohms
- d) $8/15$ ohms

12) Calculate the current flowing through the battery



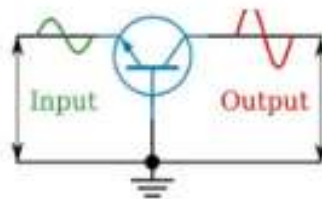
- a) 0.36 A
- b) 22.22 A
- c) 0.25 A
- d) 0.45 A

13) Convert the given number to its binary equivalent:

$$(4.47)_{10} \rightarrow ()_2$$

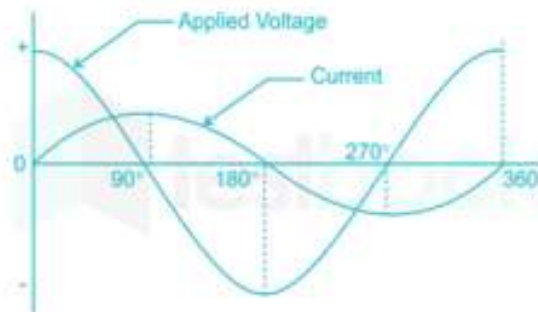
- a) 100.010
- b) 100.011
- c) 100.100
- d) 100.110

14) The above circuit configuration of transistor has



- a) A high input resistance and low output resistance
- b) A high input resistance and high output resistance
- c) A low input resistance and high output resistance
- d) A low input resistance and low output resistance

15) In the given figure, the waveforms of the voltage and current in a AC circuit. Which electrical components does this AC circuit contain?



- a) R only
- b) R and L in series
- c) L only
- d) R and L in parallel

16) How should a switch be installed in a circuit to ensure proper operation?

- a) Parallel to the load
- b) Series with the load
- c) Either way possible
- d) At the ground point

17) What voltage will an AC voltmeter display?

Answer: _____

18)

Match the following:

List I (Network Theorems)

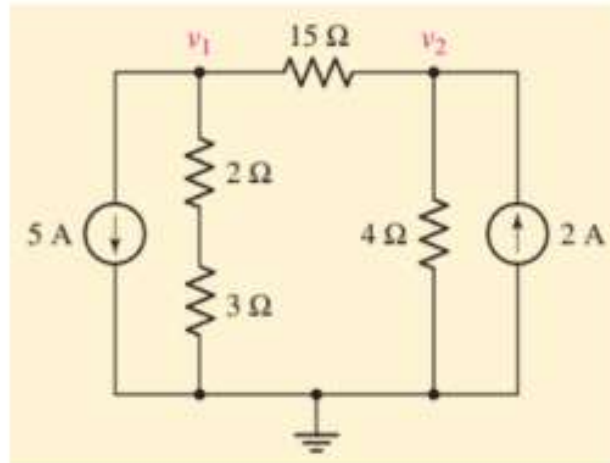
- A. Reciprocity
- B. Tellegen's
- C. Superposition
- D. Maximum power transfer

List II (Most distinguished property of networks)

- 1. Impedance Matching
- 2. Bilateral
- 3. $\sum_{k=0}^b v_k(t_1) i_k(t_2) = 0$
- 4. Linear
- 5. Non-linear

- a) A-1,B-2,C-3,D-4
- b) A-1,B-2,C-3,D-5
- c) A-2,B-3,C-5,D-1
- d) A-2,B-3,C-4,D-1

19) For the below given circuit, determine the nodal voltages v_1 and v_2 .

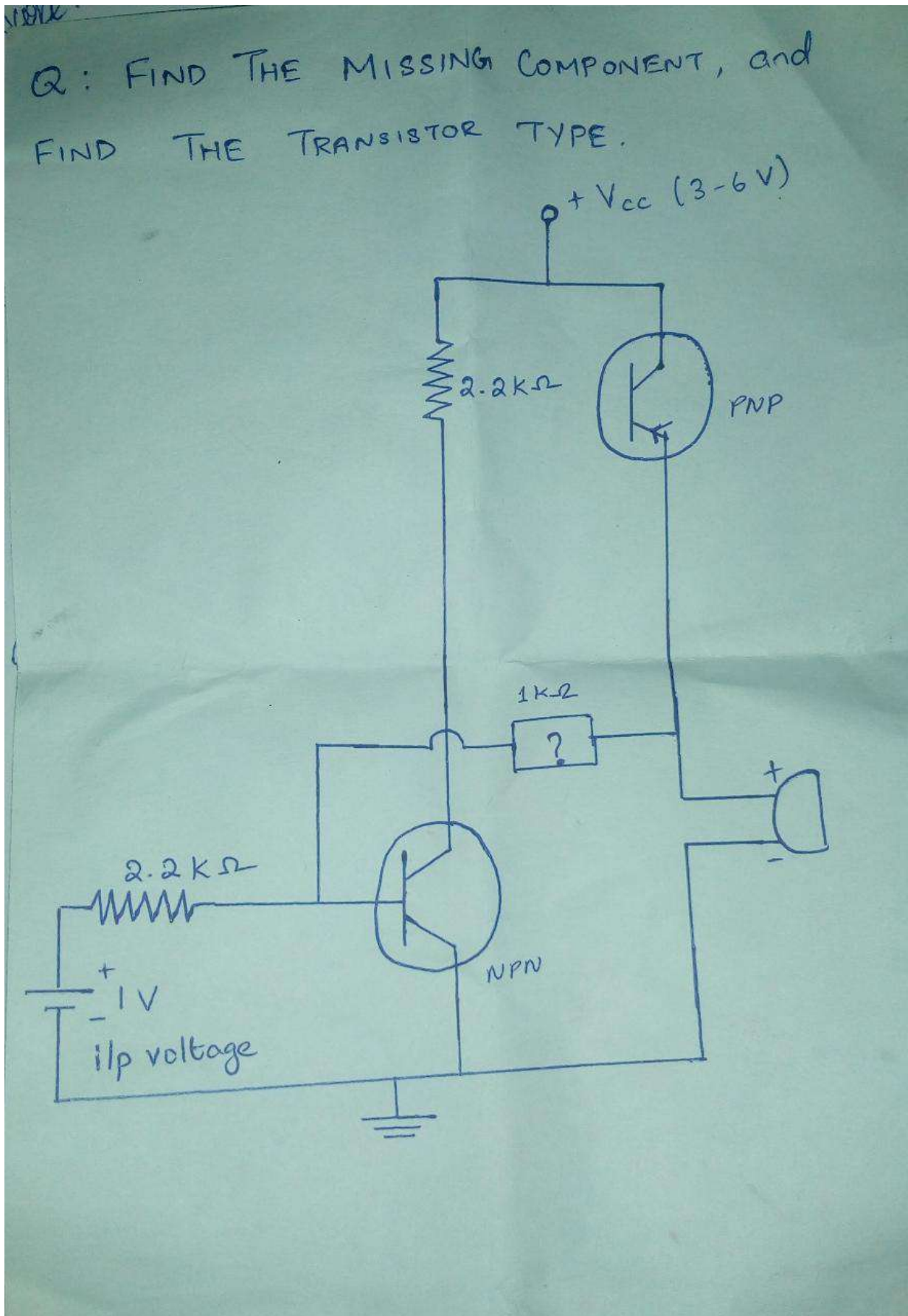


- a) $v_1 = 145/8 \text{ V}$; $v_2 = 5/2 \text{ V}$
- b) $v_1 = -145/8 \text{ V}$; $v_2 = 5/2 \text{ V}$
- c) $v_1 = 145/8 \text{ V}$; $v_2 = -5/2 \text{ V}$
- d) $v_1 = -145/8 \text{ V}$; $-v_2 = 5/2 \text{ V}$

20) The impurity commonly used for realizing the base region of an NPN transistor

- a) Boron
- b) Phosphorous
- c) Gallium
- d) Indium

Round 2 sample question:





Kanchipuram, Tamil Nadu, India
Food Court, Svce College, Tamil Nadu 602105, India
Lat 12.988153°
Long 79.974503°
28/09/22 09:55 AM GMT +05:30



Kanchipuram, Tamil Nadu, India
XXPC+WQF, Kanchipuram, Tamil Nadu 602105, India
Lat 12.987291°
Long 79.97225°
28/09/22 01:59 PM GMT +05:30



GPS Map Camera

Kanchipuram, Tamil Nadu, India

XXPF+V64, Kanchipuram, Tamil Nadu 602105, India

Lat 12.987187°

Long 79.972684°

28/09/22 02:55 PM GMT +05:30



Winners of Bug Hunt:

1st place	R Parvesh& A. Ram Solaiappan
2nd place	S K Kavya& P Mahisha
3rd place	S Mukesh and B Nithish Kumar

The winners were awarded a cash prize of Rs 1200/- for the first place, Rs.500/- for the second place, and Rs.300/- each for the third place. And all participants were given participation certificates.

Participation List:

1	Timestamp	Email Address	Team Lead Name	Participant 2 Name
2	9/25/2022 19:06:01	2021ec0740@svce.ac.in	Madhav b	V kiran yadav
3	9/25/2022 19:07:22	rameshparvesh@gmail.c	PARVESH R	RAM SOLAJAPPAN A
4	9/25/2022 19:27:24	jeevalatha.d2004@gmail	Jeevalatha D	Akshaya Nethra N
5	9/25/2022 19:34:53	skk0521126@gmail.com	S. K. Kavya	P. Mahisha
6	9/25/2022 19:44:27	princedraj@gmail.com	Diraj A	Arthiya N G
7	9/25/2022 19:51:57	2021ec0648@svce.ac.in	R.Sridevi	K.J.Yashini
8	9/25/2022 20:02:33	suryaprakashpw@gmail.	Suryaprakash.S	SriVarshini S
9	9/25/2022 20:11:58	2021ec0839@svce.ac.in	S Bharath Kumar	Karupasamy
10	9/25/2022 20:15:38	ashish010603@gmail.co	Ashish S	Aadhithya Narayanan B
11	9/25/2022 20:26:45	ashoklogeshwar@gmail.	Logeshwar. A	Manikandan .RM
12	9/25/2022 20:51:31	sdpka2020@gmail.com	Deepika S	Akash B
13	9/25/2022 21:38:10	2021ec0107@svce.ac.in	Kiran sekar S.	Rahul A
14	9/25/2022 23:21:12	bhuvansankar2809@gm	Bhuvan Sankar.S	Charan kumar.A
15	9/25/2022 23:23:52	2021ec0655@svce.ac.in	SV Karthikeyaan	Abhishek N
16	9/26/2022 10:18:01	yogeswaripalanivel@gm	Varsha S	Yogeswari P
17	9/26/2022 10:24:44	asprpraveen@gmail.com	A.S.PRAVEEN	Rahul. K
18	9/26/2022 12:31:58	lanyaramesh19@gmail.c	TANYA R J	SASRIKA U
19	9/26/2022 14:53:09	2021ec0431@svce.ac.in	Sri Sandhiya R	Tamizharasi PM
20	9/26/2022 16:29:24	2021ec0679@svce.ac.in	Lathika Shri S	Saambavi PU
21	9/26/2022 16:30:24	umeshanandh08@gmail	UMESH ANANDH S	THARUN K R
22	9/26/2022 17:26:08	2021ec0264@svce.ac.in	Priya dharshini S	Madhu vanthi
23	9/26/2022 17:35:58	2021ec0239@svce.ac.in	Tarun kumar.S	Sivalakshmi B
24	9/26/2022 18:17:50	2021ec0002@svce.ac.in	Akshaya Nethra. N	Kavitha
25	9/26/2022 19:12:25	dhanshrepriya@gmail.c	Dhanshrepriya P C	Gogulapriya A
26	9/26/2022 19:18:34	2021ec0127@svce.ac.in	AJAYKUMAR A J	BALASAKTHI S
27	9/26/2022 19:33:01	tulasiriniyassrinivas@g	THULASI SRINIVAS M	VIGNESH KUMAR A
28	9/26/2022 20:20:36	abarajitha2809@gmail.o	M ABARAJITHA	Dhanushri J K
29	9/26/2022 20:24:03	2021ec0052@svce.ac.in	Aruna D	Haripriya J
30	9/26/2022 20:46:00	anishaasb1@gmail.com	Anishaa.S	Angelin sheju
31	9/26/2022 21:36:20	raaj86778@gmail.com	Raajkumar S	Rajeshwaran R
32	9/26/2022 21:42:55	Kamilah1626@yahoo.co	Kamilah	Jeevalatha
33	9/26/2022 21:44:08	2021ec0409@svce.ac.in	Anish Krishnan	Ajay Kumar A.S
34	9/26/2022 21:45:58	2021ec0129@svce.ac.in	Lokranjan P	Keerthivaasan A
35	9/26/2022 23:44:34	2021ec0769@svce.ac.in	RAM SURETH KUMAR	MAHITH
36	9/27/2022 12:30:34	lovelypraveen961@gmai	Praveen kumar .R	Lakshmi Narayanan k.s
37	9/27/2022 12:39:08	jaikrishnan456@gmail.c	Jaikrishnan S	Jagadeshwaran
38	9/27/2022 15:17:00	2021ec0283@svce.ac.in	Diraj A	Jenny Celesta
39	9/27/2022 15:55:34	2021EC1077@SVCE.AC	Mukesh S	Nithish Kumar
40	9/27/2022 16:06:09	2021ec0591@svce.ac.in	Thibagaran	Udhaya k
41	9/27/2022 16:06:39	nishadharshinibnk@gma	Nishadharshini N	Priyadharshini S
42	9/27/2022 19:07:29	2021ec0686@svce.ac.in	Mani kandan m	Kavin amulhan k
43	9/27/2022 19:36:39	2021ec0234@svce.ac.in	Koushika S	Ramya A



SVCE Sri Venkateswara
College of
Engineering

RAIC



SRI VENKATESWARA COLLEGE OF ENGINEERING
DEPARTMENT OF ELECTRONICS AND COMMUNICATION ENGINEERING

In association with
ELECTRONICS AND COMMUNICATION ENGINEERS ASSOCIATION

along with
THE INSTITUTION OF ELECTRONICS AND TELECOMMUNICATION ENGINEERS - STUDENTS FORUM
&
ROBOTICS AND ARTIFICIAL INTELLIGENCE CLUB

PRESENTS

BUG HUNT

Certificate of Merit
This is to certify that

R. PARVESH

of Sri Venkateswara College of Engineering has won FIRST place in
"BUG HUNT" organized by Electronics And Communication Engineers Association
in association with the Institution of Electronics and Telecommunication Engineers -
Students Forum & Robotics and Artificial Intelligence Club on 28th September 2022.

Dr. S. Muthukumar
HOD-ECE

Dr. T. J. Jeyaprabha
ECEA, IETE-SF, RAIC CO-ORDINATOR

Mr. Elangovan
Assistant Professor-ECE

ORGANIZING COMMITTEE COMPRISING OF :

Chief Patron : Dr.S.GaneshVaidyanathan, Principal
Convenor : Dr.S.Muthukumar, Professor & HOD, ECE
Faculty Co-ordinators: Dr.T.J.Jeyaprabha ECEA, ISF SVCE and RAIC Co-ordinator
Mr.S.Elangovan ECEA, ISF SVCE and RAIC Co-ordinator

ECEA comprising of:

President : Mr. Gugesesh. R (IV Year ECE A)
Vice-President : Mr. SangeethKanna. P (IV Year ECE C)

Secretary : Mr. V.S.Prithiviraj (III Year ECE C)
Treasurer : Ms.SahanaBalasubramaniam (III Year ECE C)

Executive Members : Mr. Aakash (III Year ECE A)
Mr. Ganeshan H (III Year ECE A)
Mr. PratoshKarthikeyan (III Year ECE B)
Mr. Pranav.A (III Year ECE B)
Mr. Raswanth U (III Year ECE C)
Mr. Sowndhar R (III Year ECE C)

Joint Secretary : Ms. Dharani. A (II Year ECE A)
Mr.Parvesh. R (II Year ECE B)
Mr. UmeshAnandh. S (II Year ECE C)

IETE SF SVCE comprising of:

Chairman : Mr. Sivasubramanian .R (IV Year ECE C)
Vice Chairman : Mr.DeepakAkash Raj .T

Honorary Secretary : Ms. Mrdulla V Naarayan (III Year ECE B)
Honorary Treasurer : Ms. LakshanaSasikumar (III Year ECE B)

Executive Members : Mr. Arvindh. G (III Year ECE A)
Mr. Avinash. P (III Year ECE A)
Mr. Nirmal Kumar T .K (III Year ECE B)
Mr. Nithish . P (III Year ECE B)
Ms. SakthiMaheswari. M (III Year ECE C)
Mr. Shashidar .G (III Year ECE C)

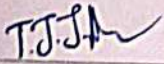
Joint Secretary : Mr. Ashish. S (II Year ECE A)
Ms. Nivetha .D .R (II Year ECE B)
Mr. Tharun . K .R (II Year ECE C)

RAIC comprising of:

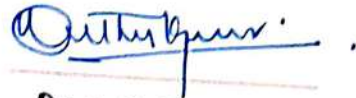
PRESIDENT : Ms. Krishna Priya .S (IV Year ECE B)
VICE PRESIDENT : Mr. Hari Prasad,P(IV Year ECE A)

SECRETARY : Mr. Sanjay Lokesh.A .M (III Year ECE C)
JOINT SECRETARY : Mr. Anish Krishnan (II Year ECE A)
Mr. Mahith .J .K (II Year ECE B)
Mr. L. Sharad(II Year ECE C)

MENTORS : Mr. T.R.HariPrasanna(IV Year ECE A)
Mr. M.Kishore(IV Year ECE B)
Ms. Subashree. B
Mr. Ganeshan .H (III Year ECE A)
Mr. Magesh.S (III Year ECE B)
Mr. Rajeshvar. M Swamy(III Year ECE C)
Ms. Snehalatha .M (III Year ECE C)
Ms. Srivani .M (III Year ECE C)
Ms. Vishnu Priya .V .T (III Year ECE C)



Dr. T. J. JeyaprabhaDr.
ASP ECE; ECEA, ISF, RAIC Coordinator



Dr. S. Muthukumar
Professor & HOD – ECE

DATE: 7/10/2022

REPORT BY:
ASHISH.S
(II Year Joint Secretary, IETE, SVCE)
MRDULLA V NAARAYAN
(III Year Honorary Secretary, IETE, SVCE)